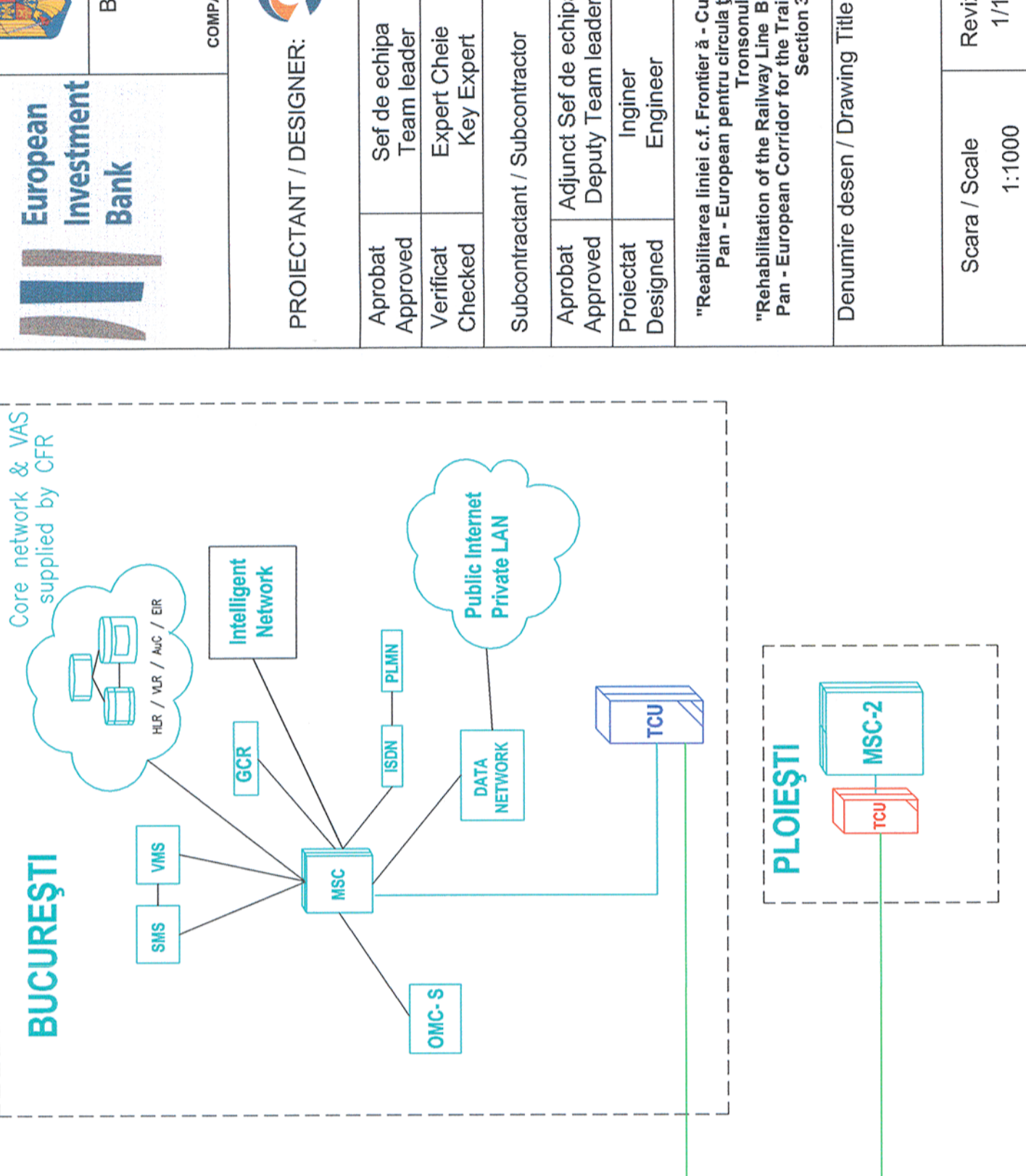
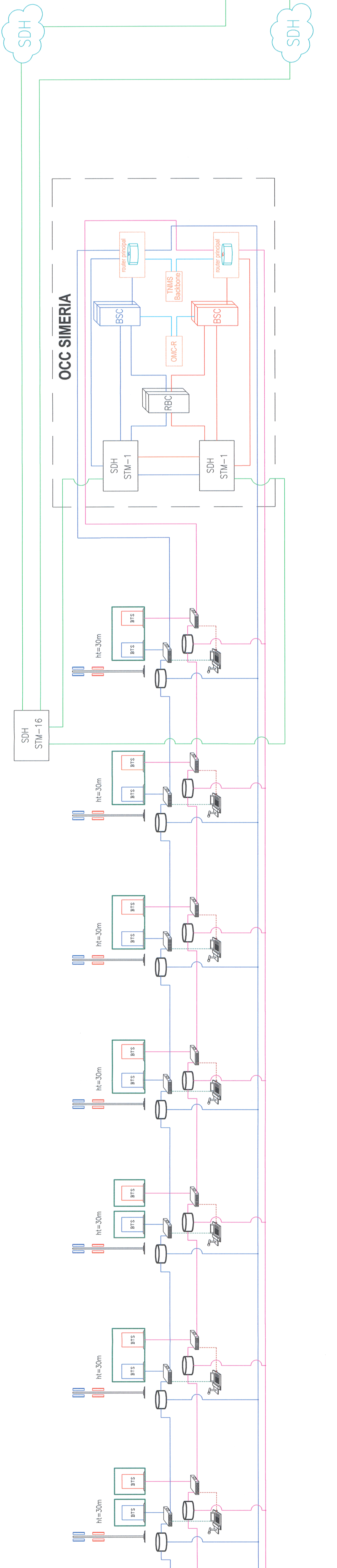
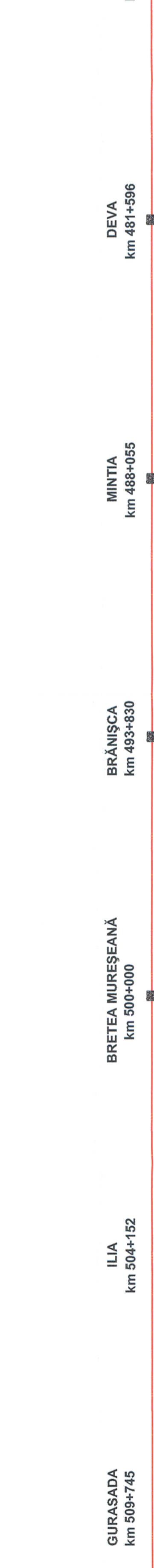


Arhitectura rețelei GSM-R Gurasada - Simeria



Indice / Index	Data / Date	Descriere / Description	Semnatura / Signature	Semnatura / Signature	Semnatura / Signature
E					
D					
C					
B					
A					

PROIECTANT / DESIGNER:

Approved	Sef de echipa / Team leader	C. Teodorescu	01.2013
Checked	Expert Cheie / Key Expert	R. Trommer	01.2013

Subcontractant / Subcontractor

Approved	Adjunct Sef de echipa / Deputy Team leader	A.M. Baicu	01.2013
Designed	Inginer / Engineer	A. Sopov	01.2013

"Reabilitarea liniei c.f. Frontieră - Curțici - Simeria, parte componentă a coridorului IV Pan - European pentru circulația cu viteză maximă de 160 km/h"
 "Rehabilitation of the Railway Line Border - Curțici - Simeria, component Part of the IV Pan - European Corridor for the Trains Circulation with maximum speed of 160 km/h"
 Section 3 : Gurasada - Simeria

Denumire desen / Drawing Title : Arhitectura sistemului GSM-R / GSM-R architecture
Scara / Scale : 1:1000
Revizia / Revision : 1/16.05.2013
Cod desen / Drawing Code : PT030400SM004
Nr / No : 01/01

LEGENDĂ

AAC	Autofunction Center	SMS	Short Message Service
AG	Access Gateway	UN	User Network
AS	Access Server	UPL	User Local Part
AS2	Access Server 2	UPL1	User Local Part 1
AS3	Access Server 3	UPL2	User Local Part 2
AS4	Access Server 4	UPL3	User Local Part 3
AS5	Access Server 5	UPL4	User Local Part 4
AS6	Access Server 6	UPL5	User Local Part 5
AS7	Access Server 7	UPL6	User Local Part 6
AS8	Access Server 8	UPL7	User Local Part 7
AS9	Access Server 9	UPL8	User Local Part 8
AS10	Access Server 10	UPL9	User Local Part 9
AS11	Access Server 11	UPL10	User Local Part 10
AS12	Access Server 12	UPL11	User Local Part 11
AS13	Access Server 13	UPL12	User Local Part 12
AS14	Access Server 14	UPL13	User Local Part 13
AS15	Access Server 15	UPL14	User Local Part 14
AS16	Access Server 16	UPL15	User Local Part 15
AS17	Access Server 17	UPL16	User Local Part 16
AS18	Access Server 18	UPL17	User Local Part 17
AS19	Access Server 19	UPL18	User Local Part 18
AS20	Access Server 20	UPL19	User Local Part 19
AS21	Access Server 21	UPL20	User Local Part 20
AS22	Access Server 22	UPL21	User Local Part 21
AS23	Access Server 23	UPL22	User Local Part 22
AS24	Access Server 24	UPL23	User Local Part 23
AS25	Access Server 25	UPL24	User Local Part 24
AS26	Access Server 26	UPL25	User Local Part 25
AS27	Access Server 27	UPL26	User Local Part 26
AS28	Access Server 28	UPL27	User Local Part 27
AS29	Access Server 29	UPL28	User Local Part 28
AS30	Access Server 30	UPL29	User Local Part 29
AS31	Access Server 31	UPL30	User Local Part 30
AS32	Access Server 32	UPL31	User Local Part 31
AS33	Access Server 33	UPL32	User Local Part 32
AS34	Access Server 34	UPL33	User Local Part 33
AS35	Access Server 35	UPL34	User Local Part 34
AS36	Access Server 36	UPL35	User Local Part 35
AS37	Access Server 37	UPL36	User Local Part 36
AS38	Access Server 38	UPL37	User Local Part 37
AS39	Access Server 39	UPL38	User Local Part 38
AS40	Access Server 40	UPL39	User Local Part 39
AS41	Access Server 41	UPL40	User Local Part 40
AS42	Access Server 42	UPL41	User Local Part 41
AS43	Access Server 43	UPL42	User Local Part 42
AS44	Access Server 44	UPL43	User Local Part 43
AS45	Access Server 45	UPL44	User Local Part 44
AS46	Access Server 46	UPL45	User Local Part 45
AS47	Access Server 47	UPL46	User Local Part 46
AS48	Access Server 48	UPL47	User Local Part 47
AS49	Access Server 49	UPL48	User Local Part 48
AS50	Access Server 50	UPL49	User Local Part 49
AS51	Access Server 51	UPL50	User Local Part 50
AS52	Access Server 52	UPL51	User Local Part 51
AS53	Access Server 53	UPL52	User Local Part 52
AS54	Access Server 54	UPL53	User Local Part 53
AS55	Access Server 55	UPL54	User Local Part 54
AS56	Access Server 56	UPL55	User Local Part 55
AS57	Access Server 57	UPL56	User Local Part 56
AS58	Access Server 58	UPL57	User Local Part 57
AS59	Access Server 59	UPL58	User Local Part 58
AS60	Access Server 60	UPL59	User Local Part 59
AS61	Access Server 61	UPL60	User Local Part 60
AS62	Access Server 62	UPL61	User Local Part 61
AS63	Access Server 63	UPL62	User Local Part 62
AS64	Access Server 64	UPL63	User Local Part 63
AS65	Access Server 65	UPL64	User Local Part 64
AS66	Access Server 66	UPL65	User Local Part 65
AS67	Access Server 67	UPL66	User Local Part 66
AS68	Access Server 68	UPL67	User Local Part 67
AS69	Access Server 69	UPL68	User Local Part 68
AS70	Access Server 70	UPL69	User Local Part 69
AS71	Access Server 71	UPL70	User Local Part 70
AS72	Access Server 72	UPL71	User Local Part 71
AS73	Access Server 73	UPL72	User Local Part 72
AS74	Access Server 74	UPL73	User Local Part 73
AS75	Access Server 75	UPL74	User Local Part 74
AS76	Access Server 76	UPL75	User Local Part 75
AS77	Access Server 77	UPL76	User Local Part 76
AS78	Access Server 78	UPL77	User Local Part 77
AS79	Access Server 79	UPL78	User Local Part 78
AS80	Access Server 80	UPL79	User Local Part 79
AS81	Access Server 81	UPL80	User Local Part 80
AS82	Access Server 82	UPL81	User Local Part 81
AS83	Access Server 83	UPL82	User Local Part 82
AS84	Access Server 84	UPL83	User Local Part 83
AS85	Access Server 85	UPL84	User Local Part 84
AS86	Access Server 86	UPL85	User Local Part 85
AS87	Access Server 87	UPL86	User Local Part 86
AS88	Access Server 88	UPL87	User Local Part 87
AS89	Access Server 89	UPL88	User Local Part 88
AS90	Access Server 90	UPL89	User Local Part 89
AS91	Access Server 91	UPL90	User Local Part 90
AS92	Access Server 92	UPL91	User Local Part 91
AS93	Access Server 93	UPL92	User Local Part 92
AS94	Access Server 94	UPL93	User Local Part 93
AS95	Access Server 95	UPL94	User Local Part 94
AS96	Access Server 96	UPL95	User Local Part 95
AS97	Access Server 97	UPL96	User Local Part 96
AS98	Access Server 98	UPL97	User Local Part 97
AS99	Access Server 99	UPL98	User Local Part 98
AS100	Access Server 100	UPL99	User Local Part 99



PROIECTANT / DESIGNER:

Approved	Sef de echipa / Team leader	C. Teodorescu	01.2013
Checked	Expert Cheie / Key Expert	R. Trommer	01.2013



Subcontractant / Subcontractor

Approved	Adjunct Sef de echipa / Deputy Team leader	A.M. Baicu	01.2013
Designed	Inginer / Engineer	A. Sopov	01.2013

"Reabilitarea liniei c.f. Frontieră - Curțici - Simeria, parte componentă a coridorului IV Pan - European pentru circulația cu viteză maximă de 160 km/h"
 "Rehabilitation of the Railway Line Border - Curțici - Simeria, component Part of the IV Pan - European Corridor for the Trains Circulation with maximum speed of 160 km/h"
 Section 3 : Gurasada - Simeria

Denumire desen / Drawing Title : Arhitectura sistemului GSM-R / GSM-R architecture
Scara / Scale : 1:1000
Revizia / Revision : 1/16.05.2013
Cod desen / Drawing Code : PT030400SM004
Nr / No : 01/01